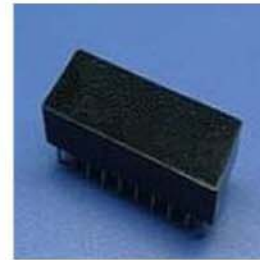


FEATURES

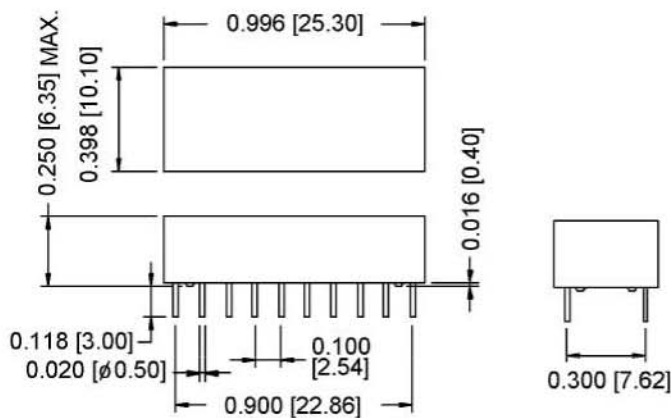
- Compliant with IEEE 802.3u and ANSI X3.263 standards including 350uH OCL with 8mA Bias.
- Operating temperature range: 0°C to +70°C
- Storage temperature range:-25°C to +105°C.



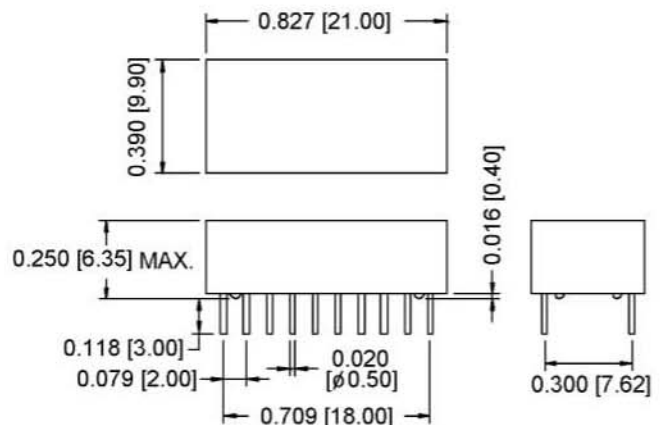
ELECTRICAL SPECIFICATIONS @25°C-Operating temperature 0°C TO 70°C										
Part Number	Turns Ratio(±5%)		Insertion Loss (dB MAX)	Return Loss (dB MIN @100Ω)			Crosstalk (dB MIN)	DCMR (dB MIN)		Hipot (Vrms)
	Transmit	Receive		0.3-100 MHz	.3-30 MHz	30-60 MHz		60-80 MHz	0.3-100 MHz	
TC-13F21	1CT:1CT	1:1	-1.15	-18	-14	-12	-38	-40		1500
TC-13F22	1CT:1CT	1:1	-1.15	-18	-14	-12	-38	-40		1500
TC-13F22A	1CT:1CT	1:1	-1.15	-18	-14	-12	-38	-40		1500
TC-13F23	1CT:1CT	1:1	-1.1	-18	-14	-12	-38	-40		1500
TC-13F23A	1CT:1CT	1:1	-1.15	-18	-14	-12	-38	-40		1500
TC-13F23B	1CT:1CT	1:1	-1.15	-18	-14	-12	-38	-40		1500
TC-13F24	1CT:1CT	1:1	-1.15	-18	-14	-12	-38	-40		1500
TC-13F25	1CT:1CT	1:1	-1.15	-18	-14	-12	-38	-40		1500
TC-13F25A	1CT:1CT	1:1	-1.15	-18	-14	-12	-38	-40		1500
TC-13F26	1CT:1CT	1:1	-1.15	-18	-14	-12	-38	-40		1500
TC-13F26A	1CT:1CT	1:1	-1.15	-18	-14	-12	-38	-40		1500
TC-13F27	1CT:1CT	1:1	-1.15	-18	-14	-12	-38	-40	-30	1500
TC-13F28	1CT:1CT	1:1	-1.15	-18	-14	-12	-38	-40		1500
TC-13F211	1CT:1CT	1:1	-1.0	-18	-14	-12	-38	-40		1500
TC-13F231	1CT:1CT	1:1	-1.15	-18	-14	-12	-38	-40		1500
TC-13FS21	1CT:1CT	1:1	-1.15	-18	-14	-12	-38	-40		1500
TC-13FS211	2CT:1CT	1:1	-1.15	-18	-14	-12	-38	-40		1500

Mechanicals

TC- 13F2X



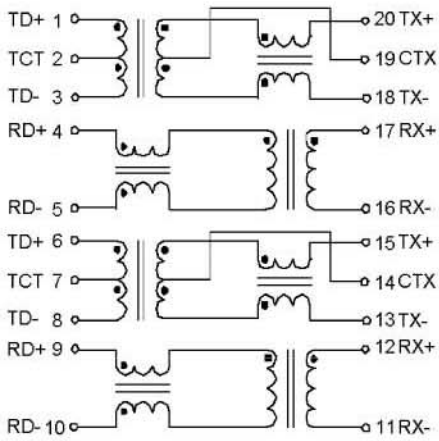
TC- 13FS



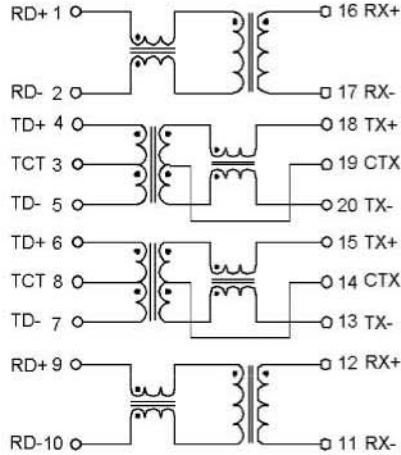
Unit: inch[mm] Tolerance: xx.x0±0.010[0.25] ; 0.xx±0.002[0.05]

Schematics

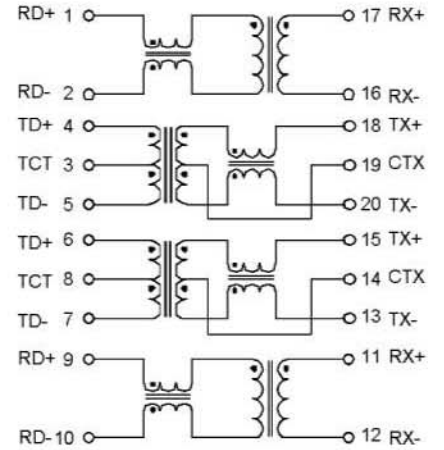
TC- 13F21



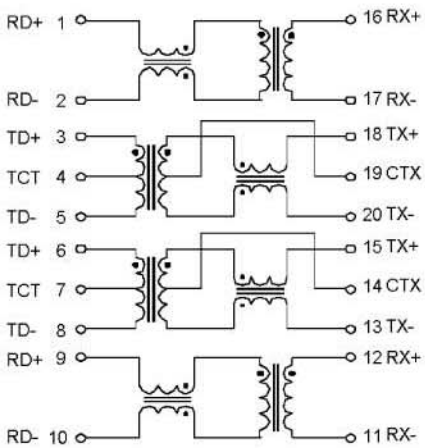
TC- 13F262



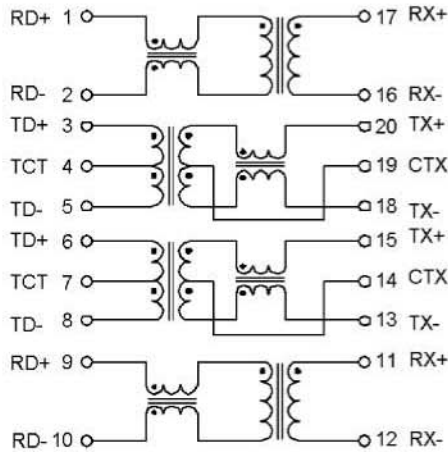
TC- 13F22A



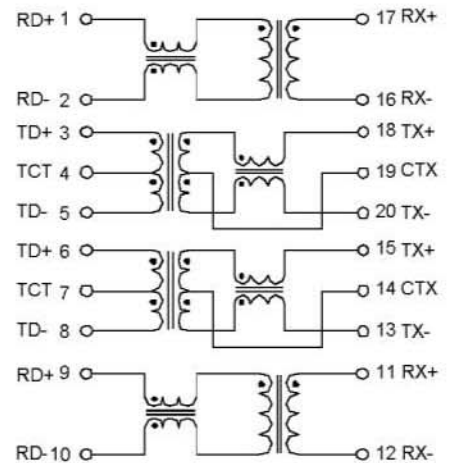
TC- 13F23



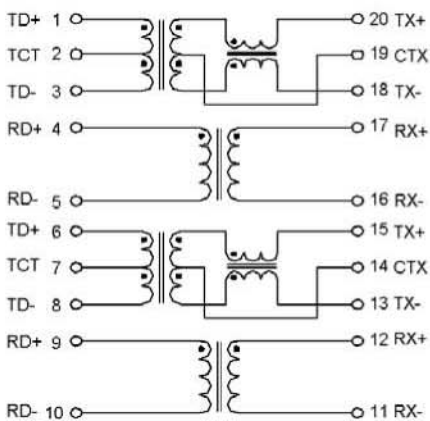
TC- 13F23A



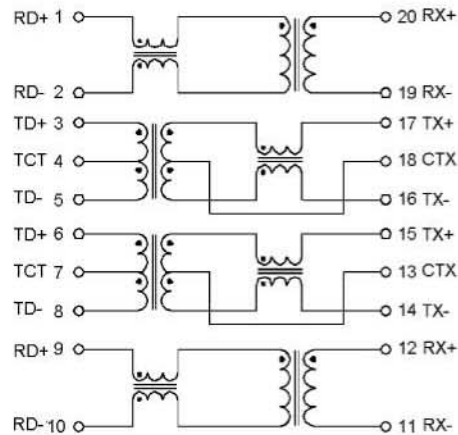
TC- 13F23B



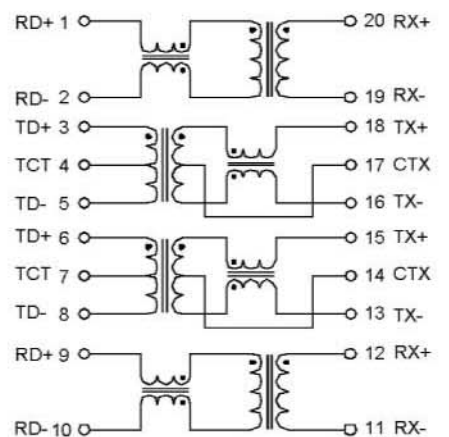
TC- 13F24



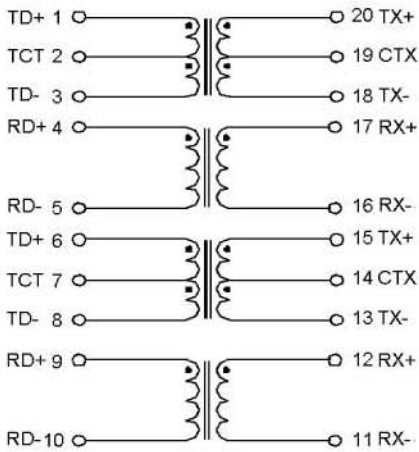
TC - 13F25



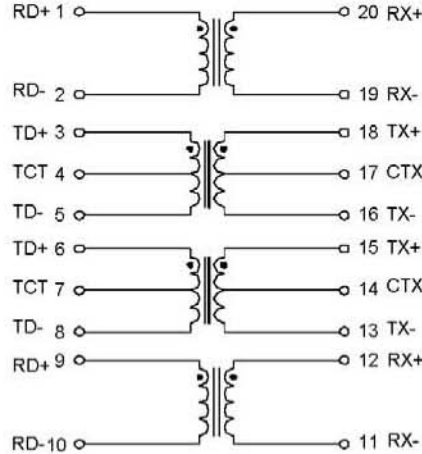
TC- 13F25A



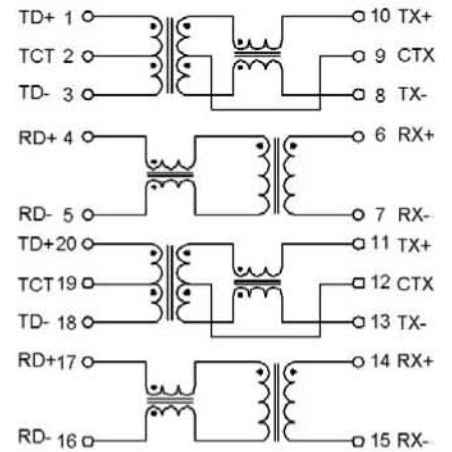
TC- 13F26



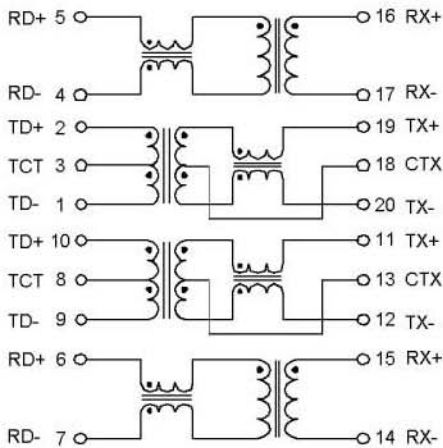
TC- 13F26A



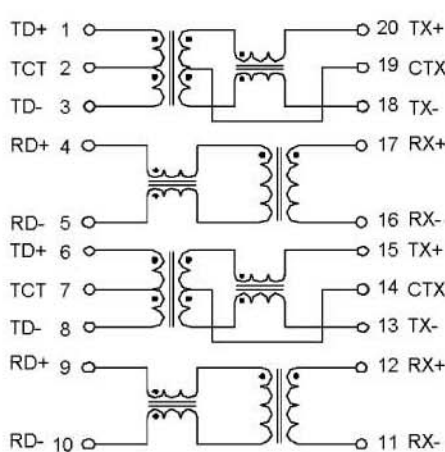
TC- 13F27



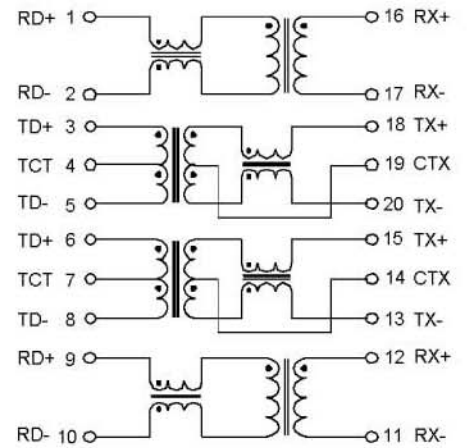
TC- 13F28



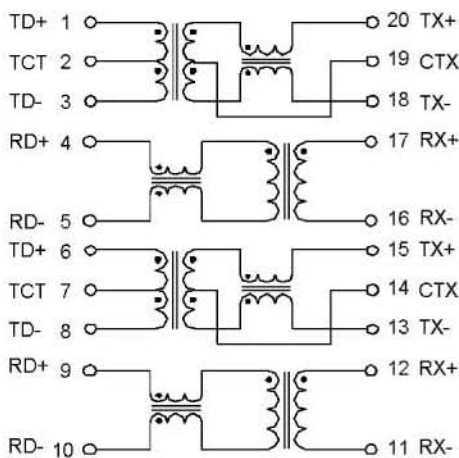
TC- 13F211



TC- 13F23



TC- 13FS21



TC- 13FS211

